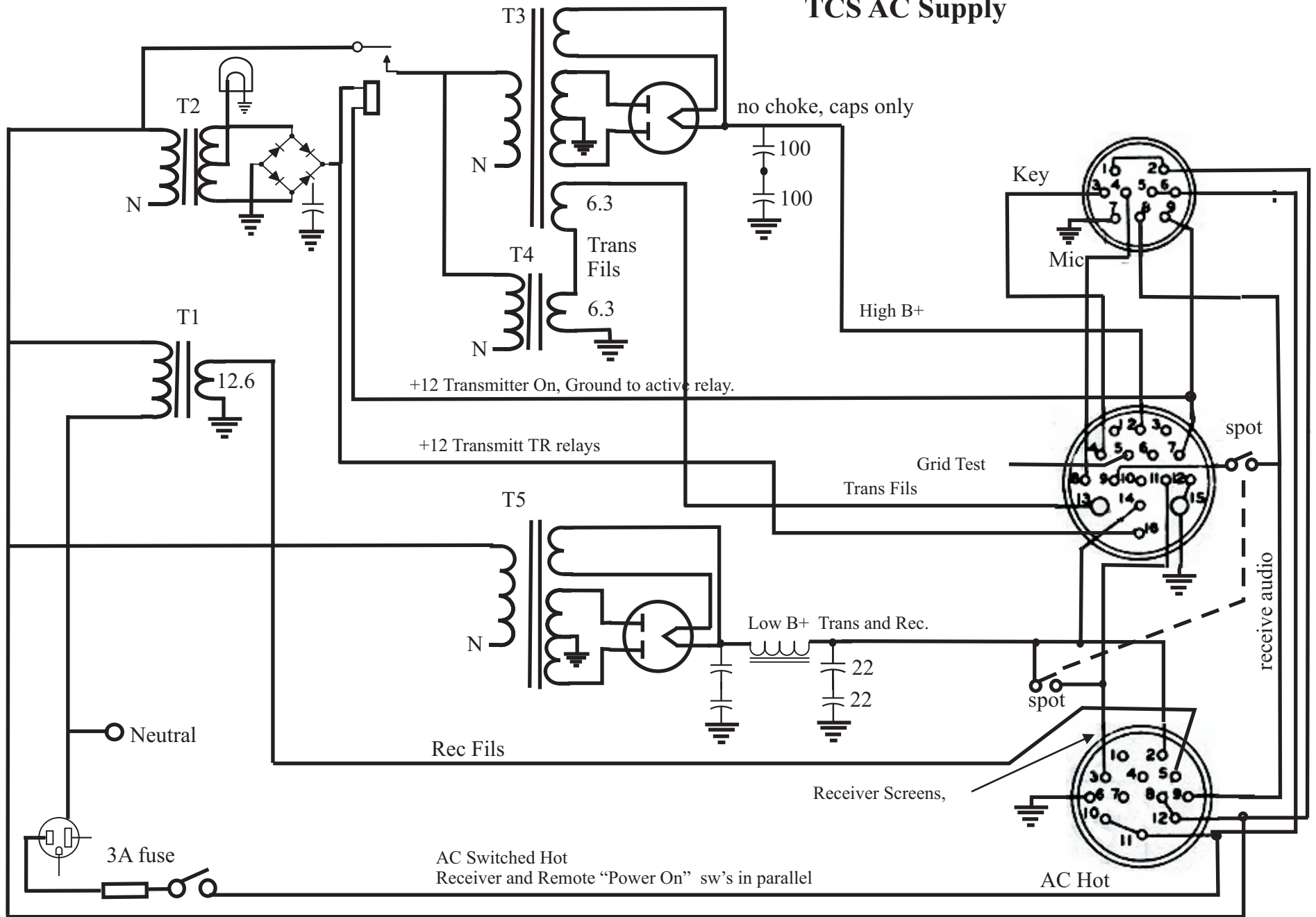


TCS AC Supply



Transformer Info

- T1 Stancor 12.6 V 3A under chassis
- T2 Small 1.2 A 12.6 CT under chassis
- T3 large HV on top of chassis
- T4 Chicago 6.3 on top of chassis
- T5 Mounted on top..

Spot switch a DPDT, when On on side of the switch connects the receiver screens continuously while the other side disconnects the grounding of the audio line by the transmitter.