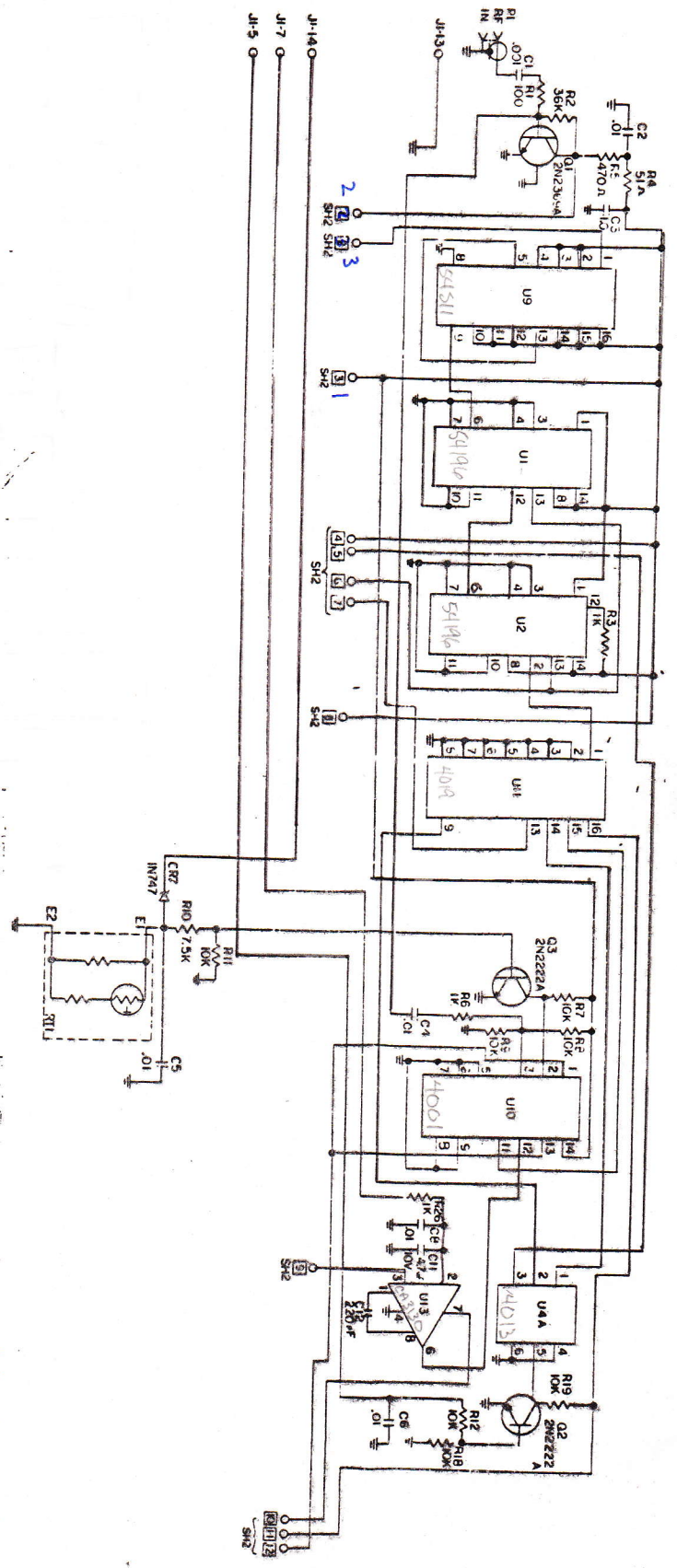


THIS SCHEMATIC HAS BEEN PURCHASED BY THE GOVERNMENT AND IS NOT TO BE REPRODUCED OR TRANSMITTED IN ANY FORM OR BY ANY MEANS, ELECTRONIC OR MECHANICAL, INCLUDING PHOTOCOPYING, RECORDING, OR BY ANY INFORMATION STORAGE AND RETRIEVAL SYSTEM. THE GOVERNMENT MAKES NO WARRANTY, EXPRESS OR IMPLIED, INCLUDING MERCHANTABILITY AND FITNESS FOR A PARTICULAR PURPOSE. THE GOVERNMENT SHALL NOT BE LIABLE FOR DAMAGES OR CONSEQUENCES OF ANY KIND ARISING FROM THE USE OF THIS INFORMATION, EVEN IF SUCH DAMAGES OR CONSEQUENCES ARE FORESEEABLE.

NOTE: DATA MARKED WITH AN ASTERISK (*) IS RECALCULATED TO A MORE ACCURATE VALUE. THE DATA MARKED WITH AN UNDERSCORE IS NOT THE PRECEDENCE CONNECTION POINT IN THE SCHEMATIC. THE CONNECTION POINT IS THE CONNECTION OF THE COMPONENT.



REVISION	DATE	DESCRIPTION
1	1/1/68	INITIAL DESIGN
2	1/1/68	REVISED
3	1/1/68	REVISED
4	1/1/68	REVISED
5	1/1/68	REVISED
6	1/1/68	REVISED
7	1/1/68	REVISED
8	1/1/68	REVISED
9	1/1/68	REVISED
10	1/1/68	REVISED
11	1/1/68	REVISED
12	1/1/68	REVISED
13	1/1/68	REVISED
14	1/1/68	REVISED
15	1/1/68	REVISED
16	1/1/68	REVISED
17	1/1/68	REVISED
18	1/1/68	REVISED
19	1/1/68	REVISED
20	1/1/68	REVISED

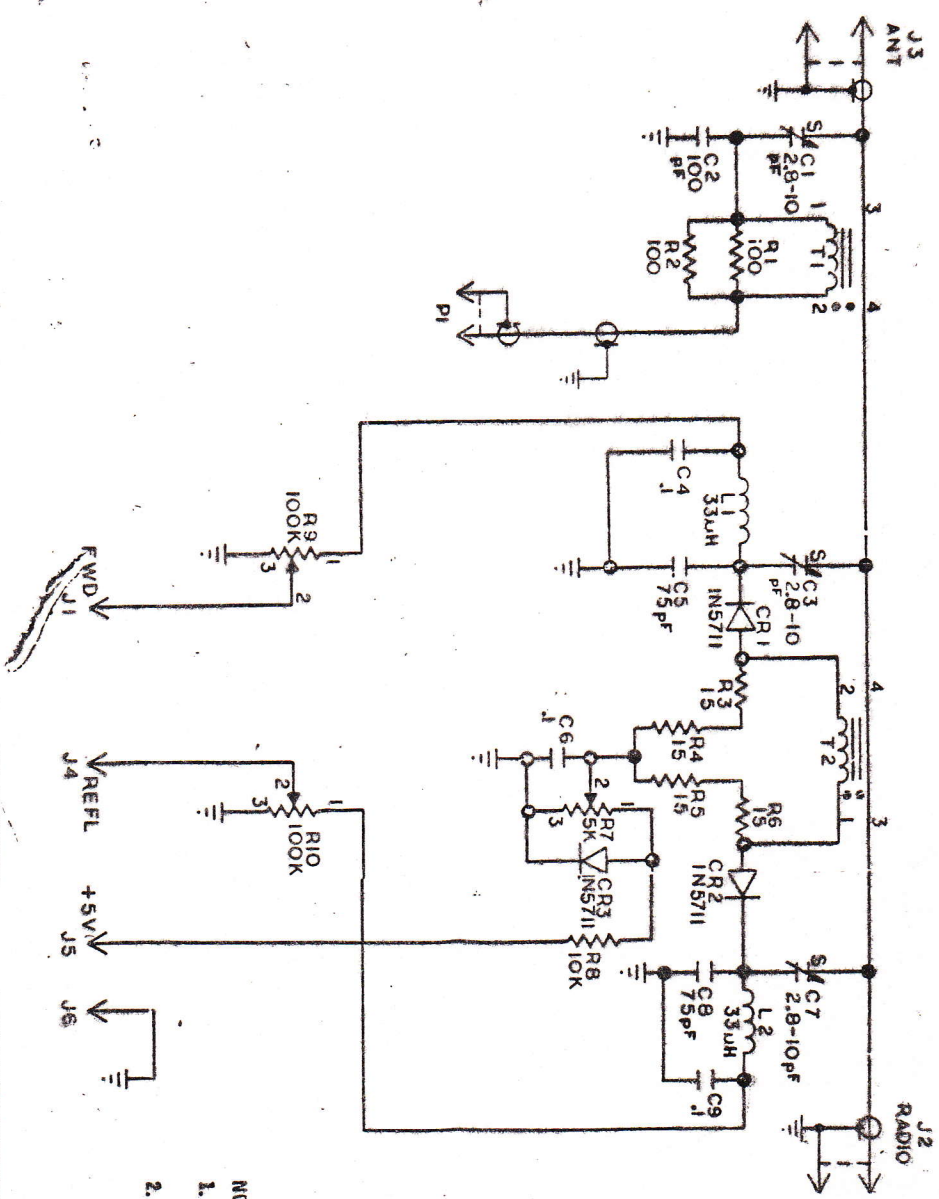
NO.	DATE	REVISION	DESCRIPTION
1	1/1/68	1	INITIAL DESIGN
2	1/1/68	2	REVISED
3	1/1/68	3	REVISED
4	1/1/68	4	REVISED
5	1/1/68	5	REVISED
6	1/1/68	6	REVISED
7	1/1/68	7	REVISED
8	1/1/68	8	REVISED
9	1/1/68	9	REVISED
10	1/1/68	10	REVISED
11	1/1/68	11	REVISED
12	1/1/68	12	REVISED
13	1/1/68	13	REVISED
14	1/1/68	14	REVISED
15	1/1/68	15	REVISED
16	1/1/68	16	REVISED
17	1/1/68	17	REVISED
18	1/1/68	18	REVISED
19	1/1/68	19	REVISED
20	1/1/68	20	REVISED

SCHEMATIC DIAGRAM,
FREQ. COUNTER

NO.	DATE	REVISION	DESCRIPTION
1	1/1/68	1	INITIAL DESIGN
2	1/1/68	2	REVISED
3	1/1/68	3	REVISED
4	1/1/68	4	REVISED
5	1/1/68	5	REVISED
6	1/1/68	6	REVISED
7	1/1/68	7	REVISED
8	1/1/68	8	REVISED
9	1/1/68	9	REVISED
10	1/1/68	10	REVISED
11	1/1/68	11	REVISED
12	1/1/68	12	REVISED
13	1/1/68	13	REVISED
14	1/1/68	14	REVISED
15	1/1/68	15	REVISED
16	1/1/68	16	REVISED
17	1/1/68	17	REVISED
18	1/1/68	18	REVISED
19	1/1/68	19	REVISED
20	1/1/68	20	REVISED

WHEN REFERRING TO THIS DRAWING, PLEASE DRAWING NO. 56996 AND PART NO. S393651

REV. LTR	DESCRIPTION	DATE	APPROVED
1			



- NOTES:
1. CAPACITANCE VALUES ARE IN MICROFARADS UNLESS OTHERWISE NOTED.
 2. RESISTANCE VALUES ARE IN OHMS.

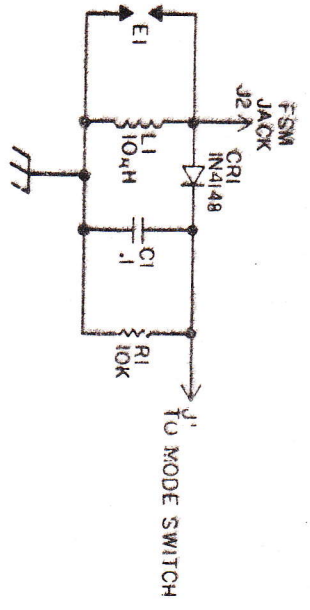
Handwritten notes:
 2w without lamp
 R10 0.25
 R9 1/4w
 REV. R10
 REV. R9
 REV. R10

CONTRACT NO. DAAM70-8-C-0152		DATE 1/1/52	
DRAWING NO. 231555		DATE 1/1/52	
TITLE SCHEMATIC DIAGRAM, POWER DETECTOR		DATE 1/1/52	
PART NO. 231555		DATE 1/1/52	
QTY. 1		DATE 1/1/52	
REVISIONS 1		DATE 1/1/52	
APPROVED [Signature]		DATE 1/1/52	
CHECKED [Signature]		DATE 1/1/52	
DRAWN [Signature]		DATE 1/1/52	
REV. LTR. 1 DATE OF ISSUE 1/1/52		DATE OF REVISION 1/1/52	

S353655

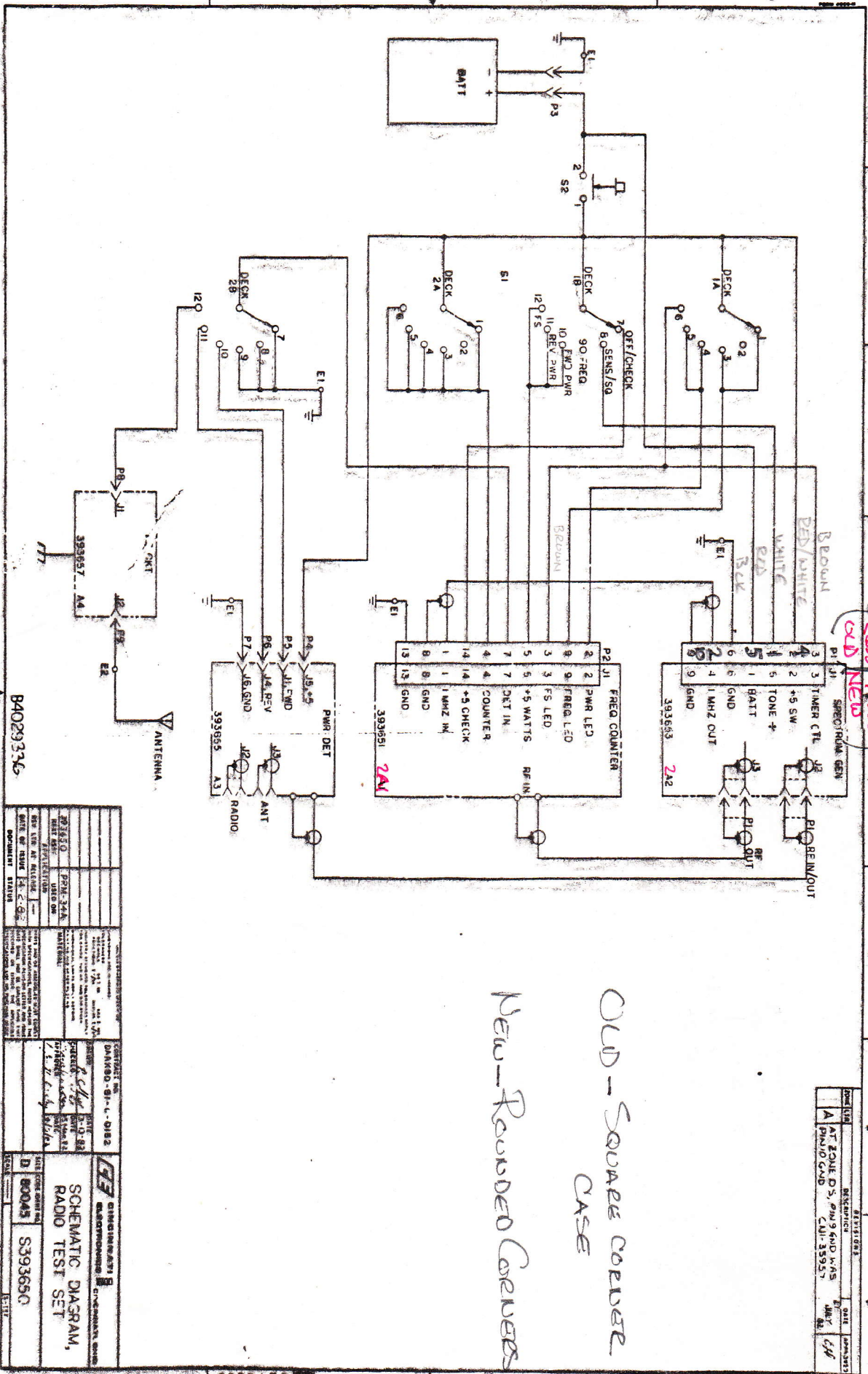
75966ES

REVISIONS			
REV	DESCRIPTION	DATE	APPROVED
A	DC-1-35992 INCORPORATED 37501 CMT PIN WAS JARVIN'S 711 ADDCN1-37501 REV 1	82-04-07	gjl



B4029270

CONTRACT NO. DAMK82-81-C-352		DATE 8/2/82	
PROJECT S393657		DATE 8/2/82	
TITLE SCHEMATIC DIAGRAM, FS CIRCUIT		DATE 8/2/82	
DRAWN BY S393657		DATE 8/2/82	
CHECKED BY S393657		DATE 8/2/82	
APPROVED BY S393657		DATE 8/2/82	
SCALE B		SHEET 1	



4653 71655
 OLD NEW

OLD - SQUARE CORNER
 CASE
 New - Rounded Corners

FORM 100	REVISIONS	DATE	APPROVED
A	AT 20NE D'S, PWR 9 GND W/AS	MM/YY	CM
	RADIO GND	CUJ-35957	
61151-0813			
SCHEMATIC DIAGRAM, RADIO TEST SET			
S393650			

3393650