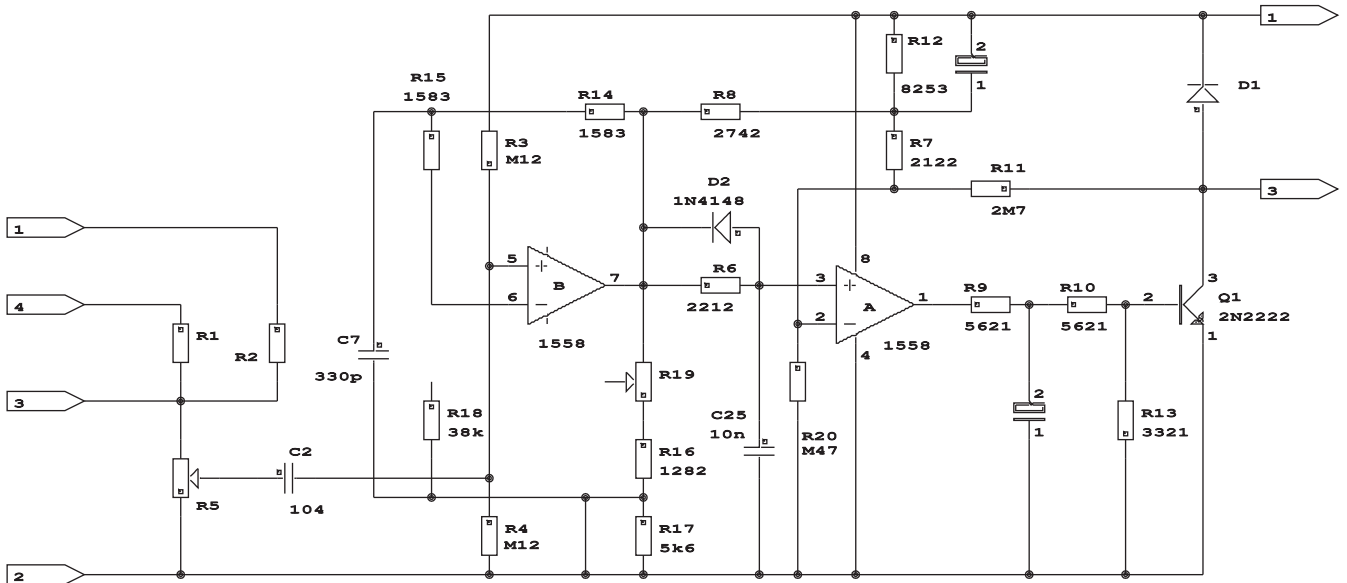


**RESULTING SCHEMATIC OF A54A MODULE AFTER CARRIER SQUELCH MODIFICATION  
V1.2  
BY PE0SSB**



**MODIFICATIONS FOR CARRIER SQUELCH OPERATION:**

- Delete:** C1, C5, C6
- ADD:** D2, C25, R20
- Replace:** C7 for 330p
- Short:** R17
- Align:** R5 for proper suppression in SQ mode

